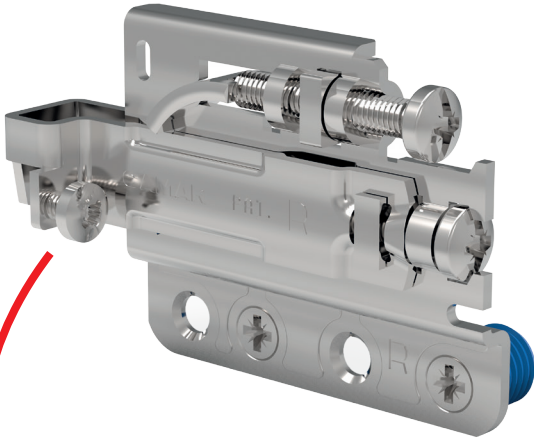


701 15 ZV IN



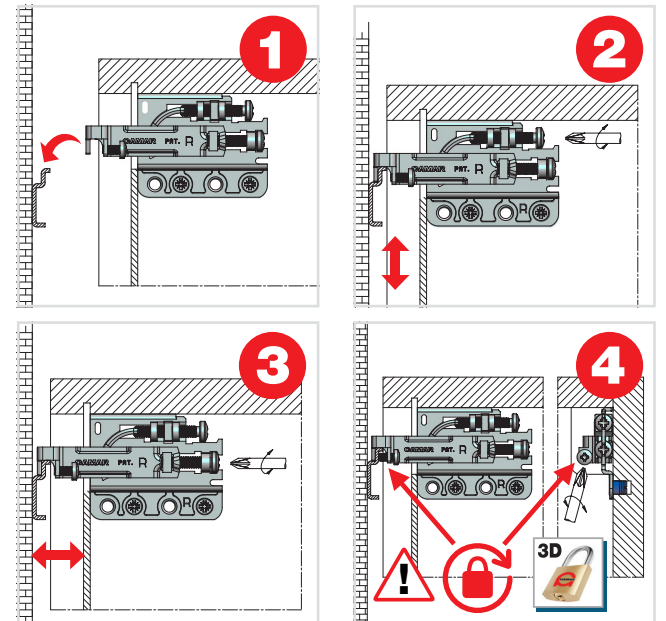
DX
SX



NEW



875 AS



After assembly, verify that the anti-drop system has been activated.
 Verificare dopo il montaggio l'avvenuta attivazione del sistema antigancio.

9		807 00 AL MA 00 528	9		875 AS Z1 00 47 875 AS Z1 00 60 875 AS Z1 875 AS Z1 20 32	9		801 00 526
---	--	----------------------------	---	--	--	---	--	-------------------

