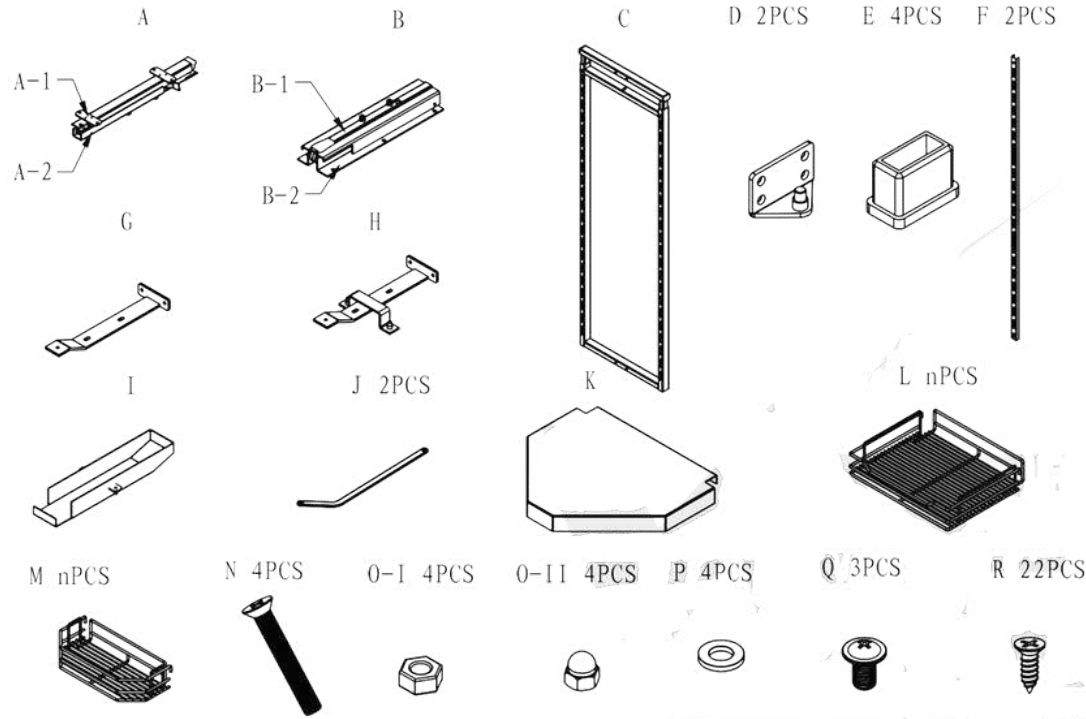
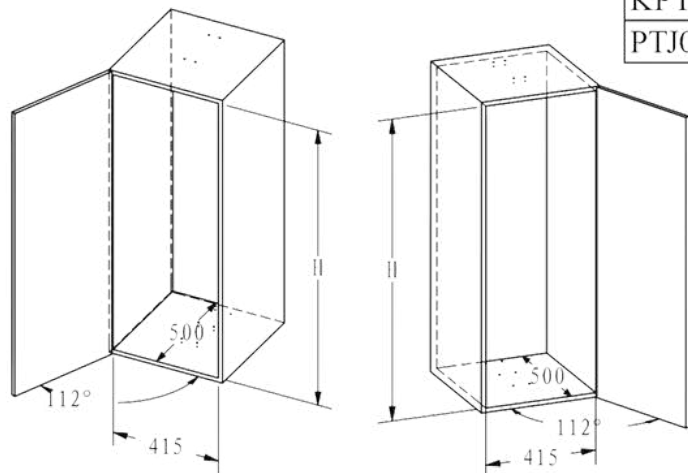


Fixing manual for PTJ022E、F、G&KPTJ022F Series

1、List of parts:



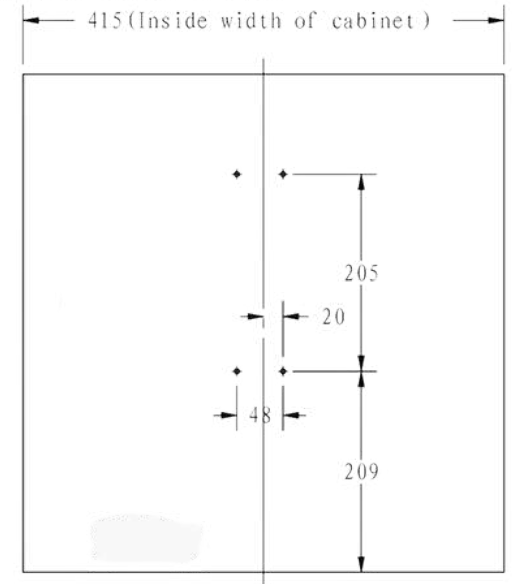
2、According to the product's specification:
D500*W564*H (Inside width of cabinet):



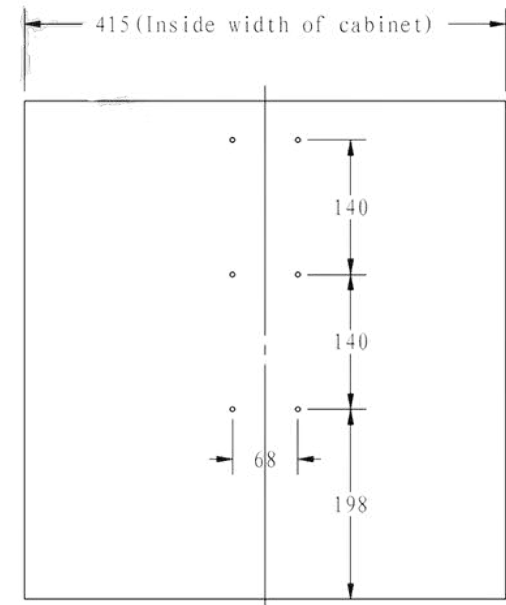
Item No.	H	n
PTJ022E	1250~1500	5
PTJ022F	1650~1950	6
KPTJ022F	1850~2150	6
PTJ022G	1150~1450	4

3、Fixing steps: (The PTJ022E for example)

(1)、installation for upper board of cabinet:



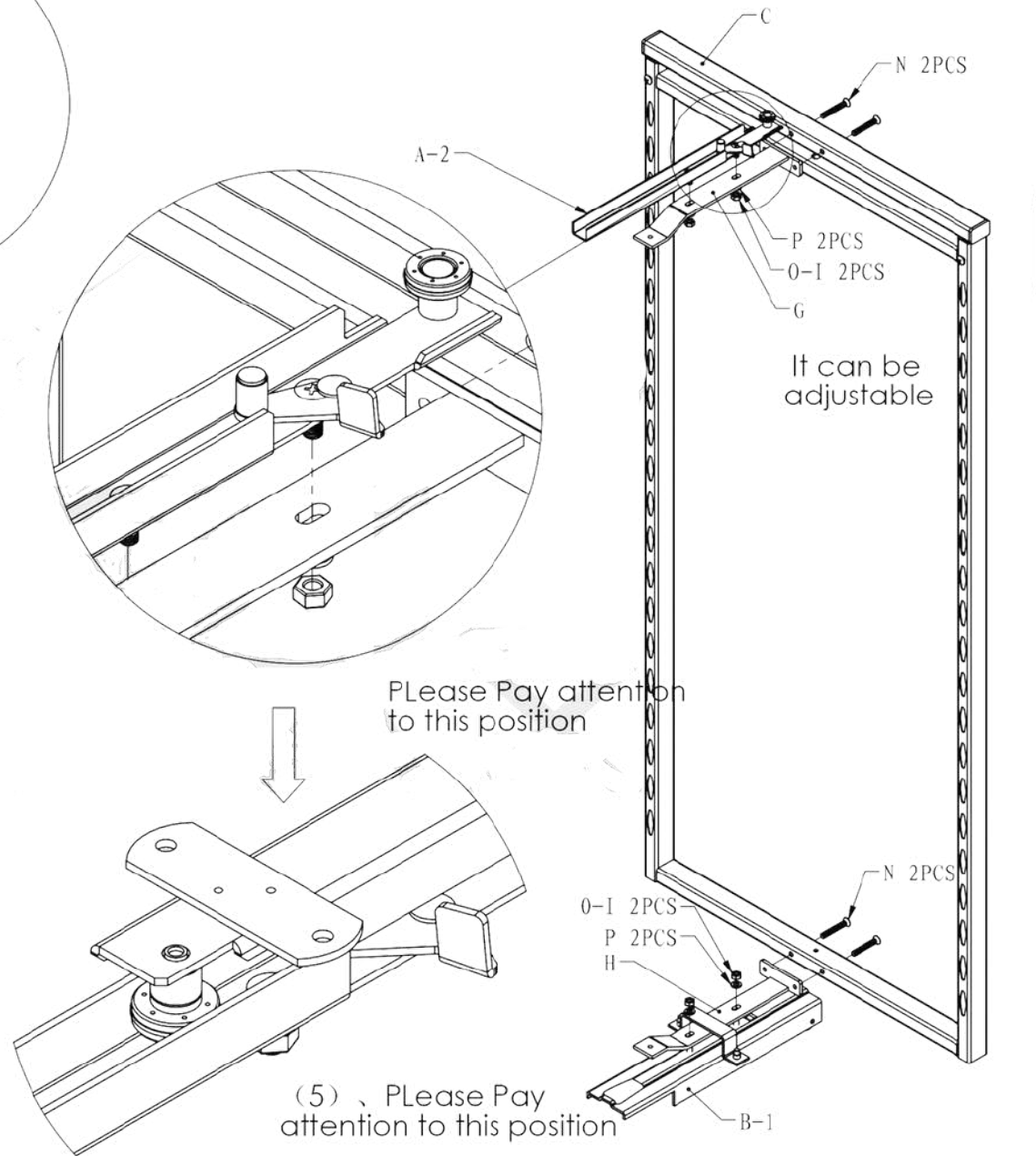
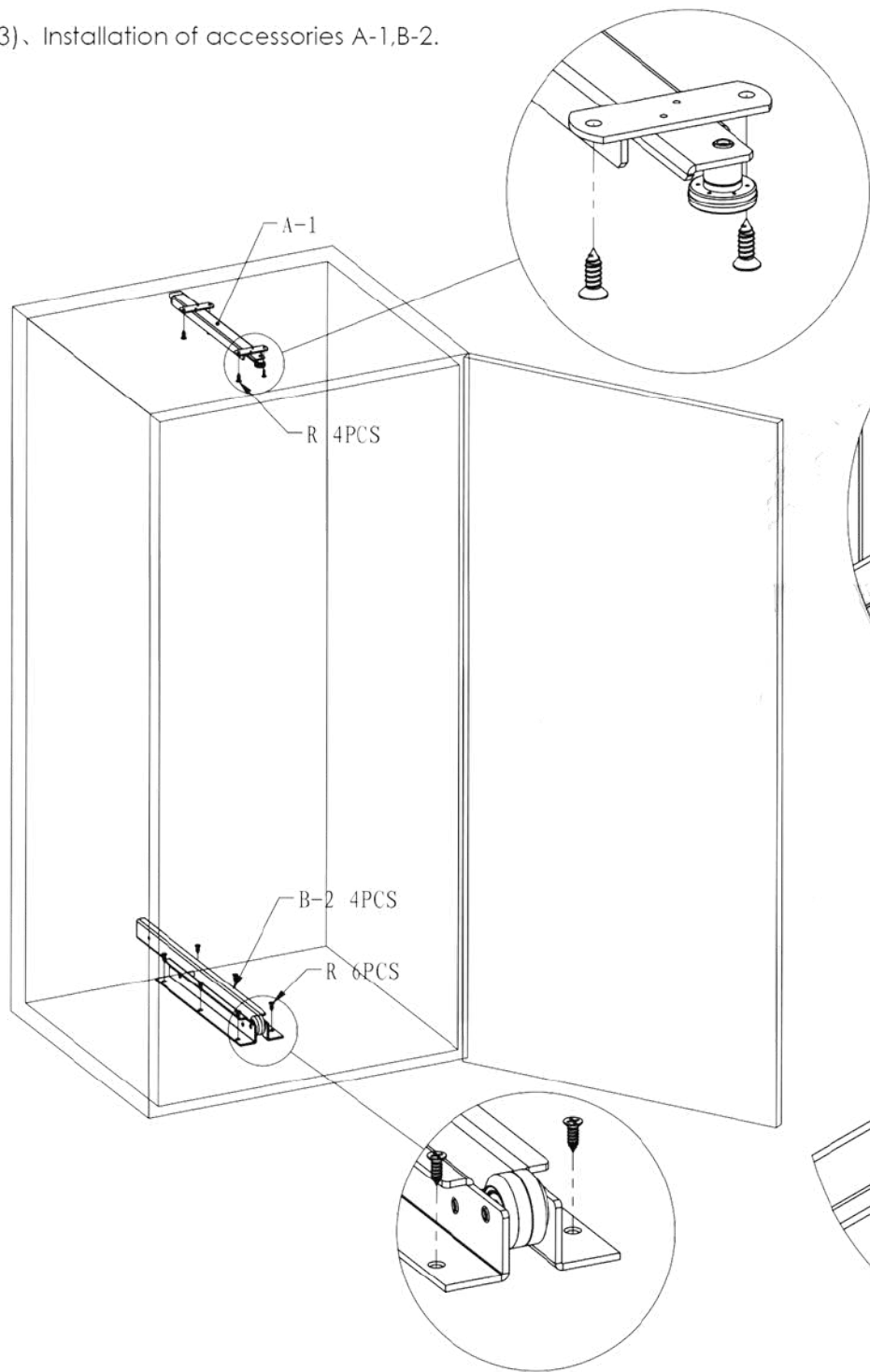
(2) Installation for bottom board of cabinet:



(3)、Installation of accessories A-1,B-2.

(4)、Installation of accessories C、G、H、A-2、B-1.

3-2



(5)、Please Pay attention to this position

(5)、Insto of accessories D、E、F、I、J、K.

(6)、Installation of accessories L、M.

