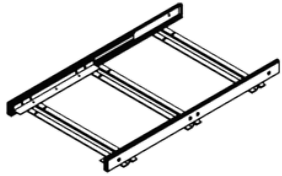


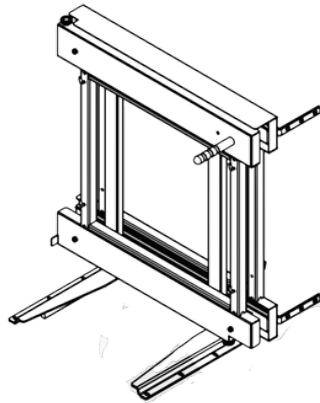
Fixing manual for drawer magic corner (Right) PTJ017ER

1. Accessories:

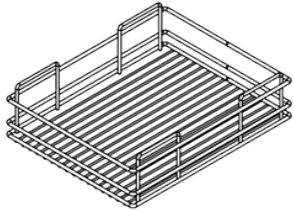
A 1PCS



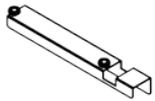
B 1PCS



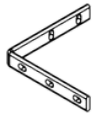
C 4PCS



D 1PCS



E 2PCS



F ST4*14
18PCS



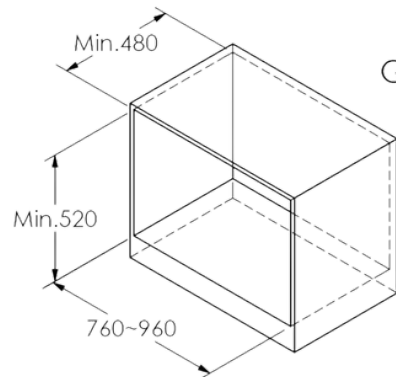
G M5*8
6PCS



H M4*8
2PCS

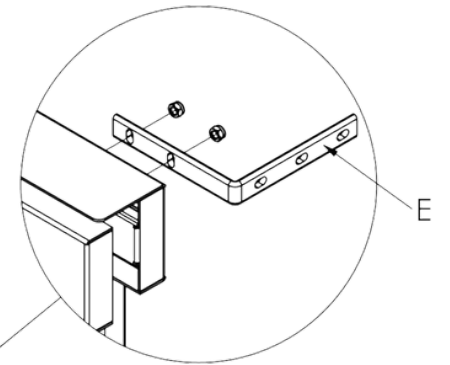
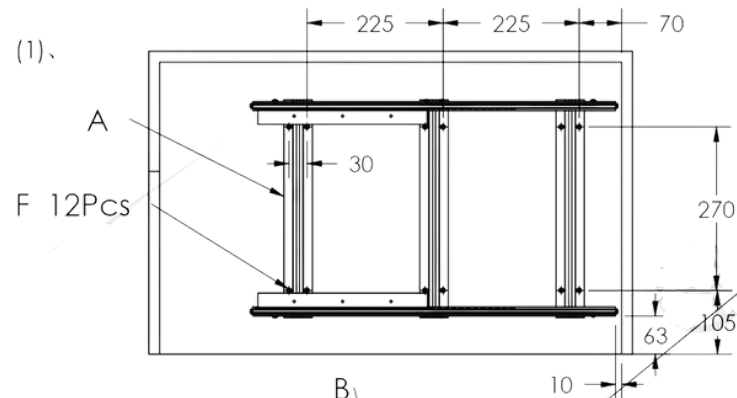


2. Suitable cabinet size (inside cabinet size)
and door board(W≥400):

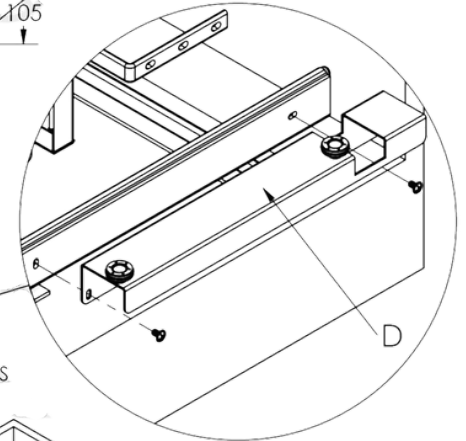
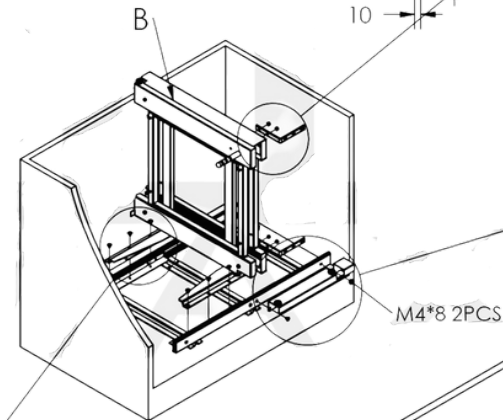


3. Fixing process :

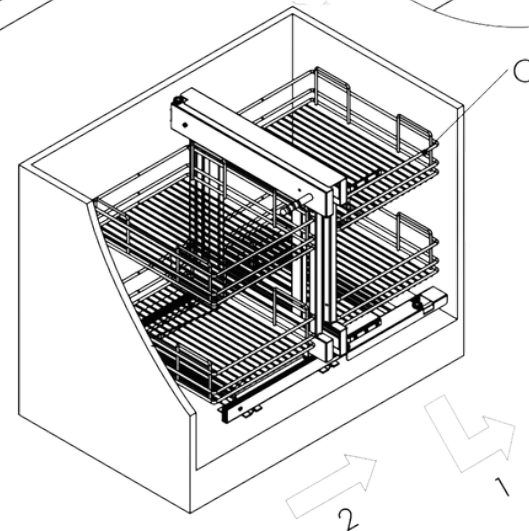
(1).



(2).



(3).



G 6PCS

