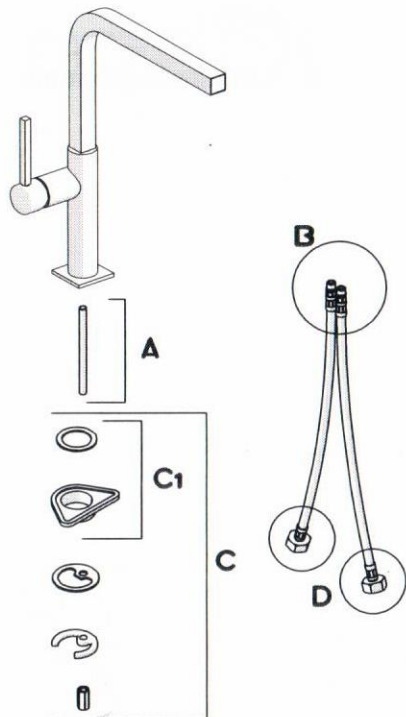




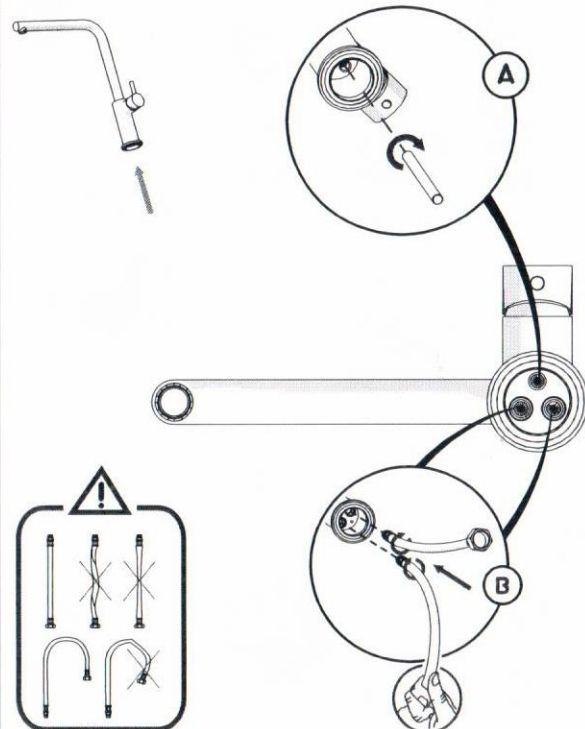
+



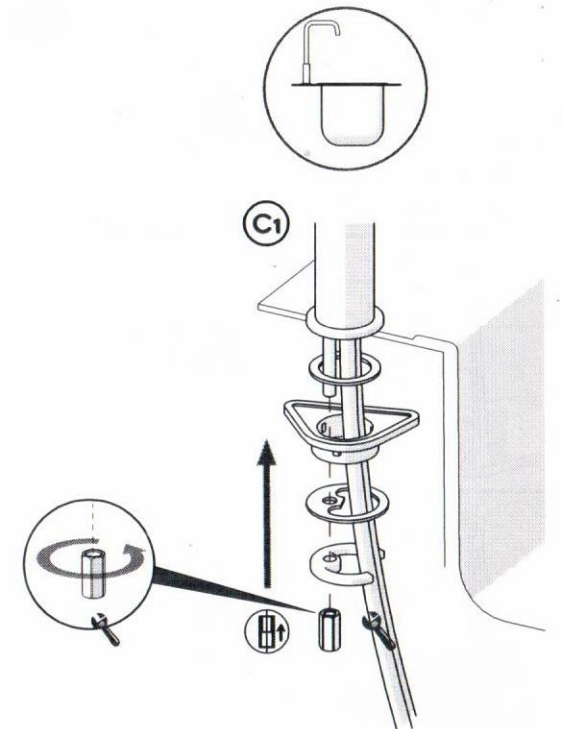
Not included / Non incluso / Non inclus / Nie zawarty / No incluido / Não incluido



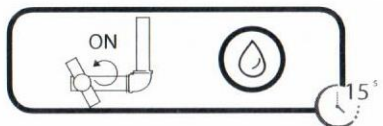
1



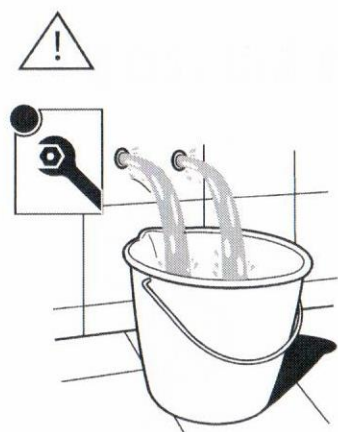
3



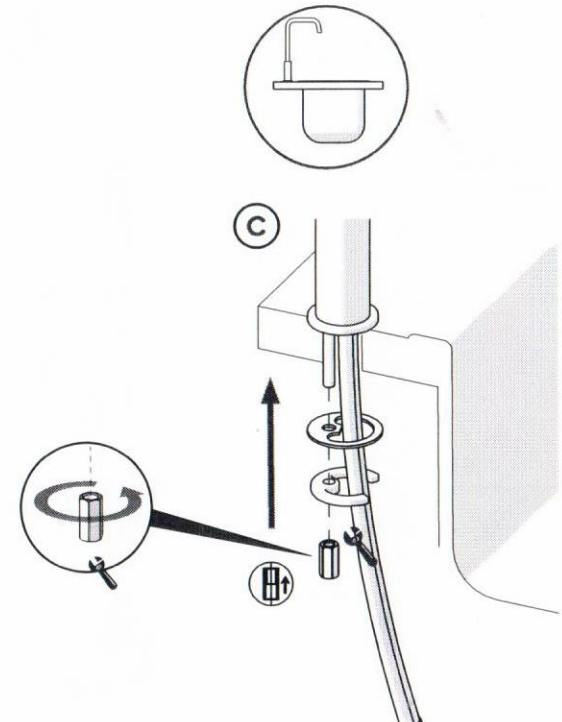
5



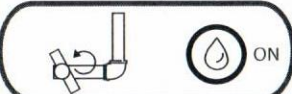
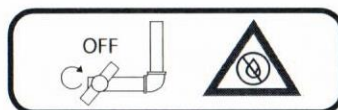
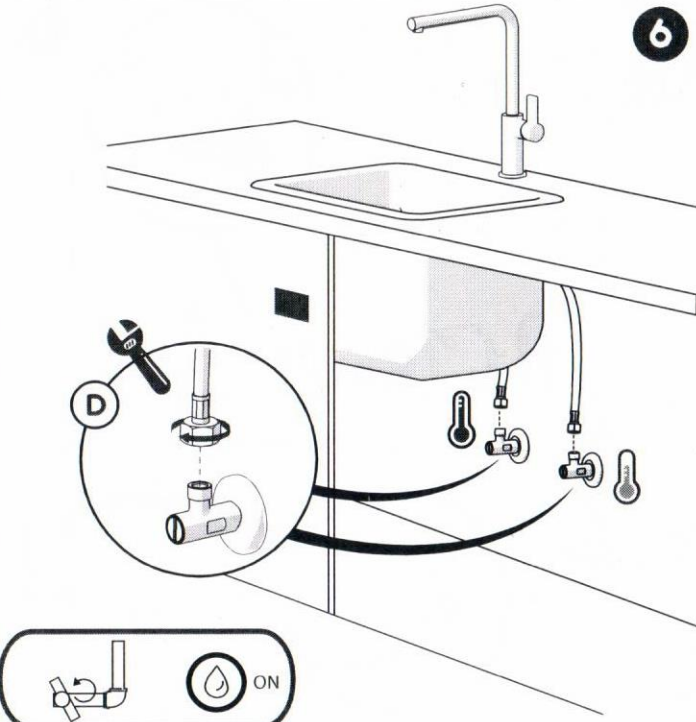
2



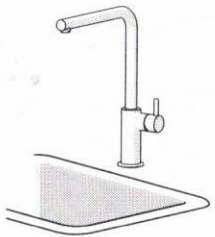
4



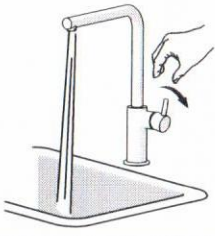
6



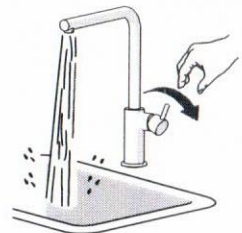
-50%



7



ON 50%



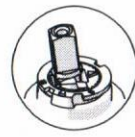
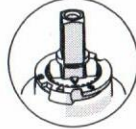
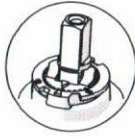
ON 100%



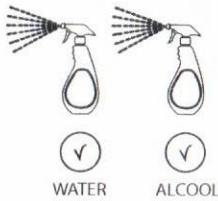
No limitation of temperature

Partial limitation of temperature

Maximum position Only cold water

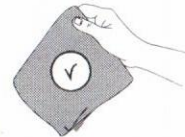


CLEANING

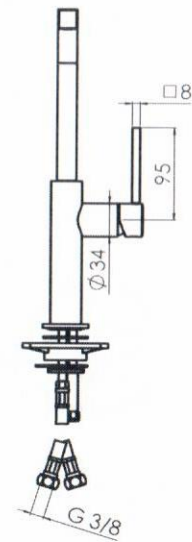
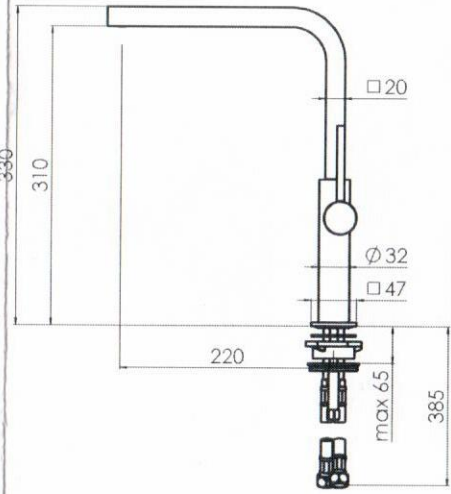


WATER

ALCOOL



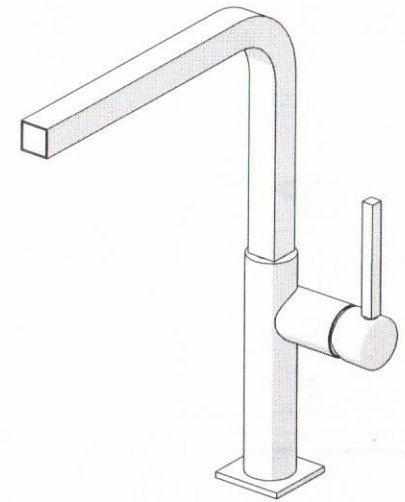
10



ioben

IISTRUCU92413#G00525

REV.08/2015



25 GIU. 2019 N. 1



NEO-Q

9650508



P
 P bar
 MAX 10
 0.5 MIN
 T
 MAX 80
 MIN 45
 T out C