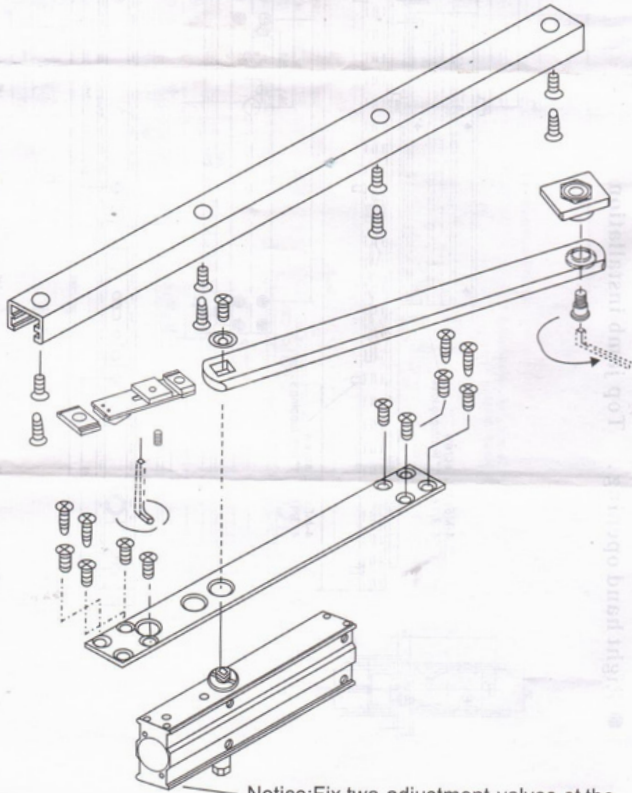
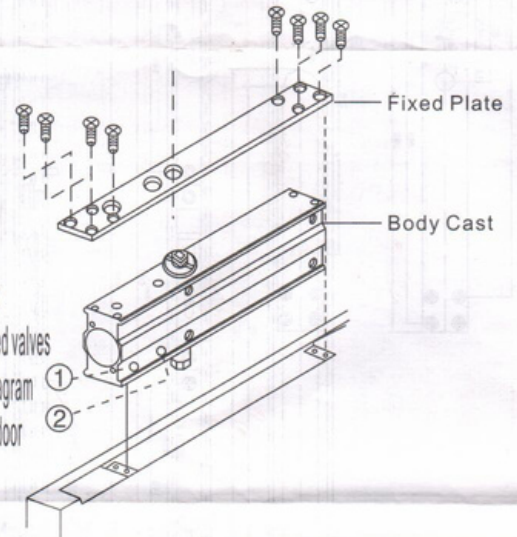


Parts of the door closer and Assembly instruction



Notice: Fix two adjustment valves at the bottom before installation

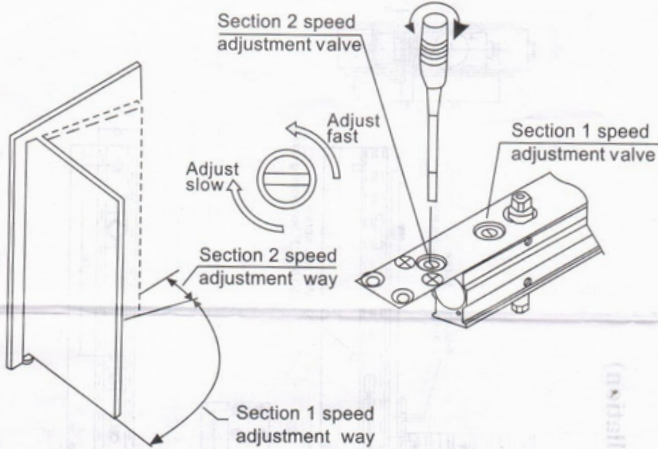
① Installing and fixing the body cast



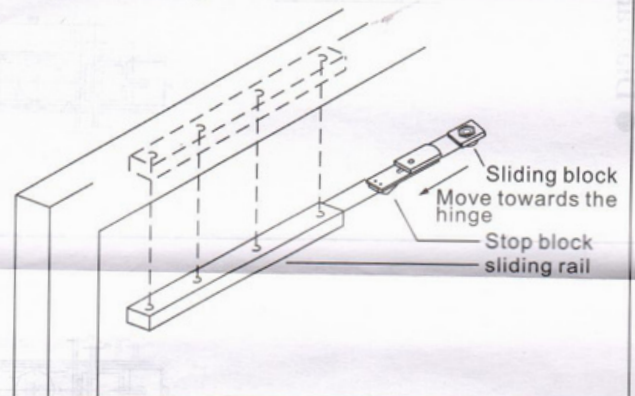
Cauton:

Tighten the 1, 2 & 3 marked valves as shown below on the diagram before installation or the door closer will malfunction.

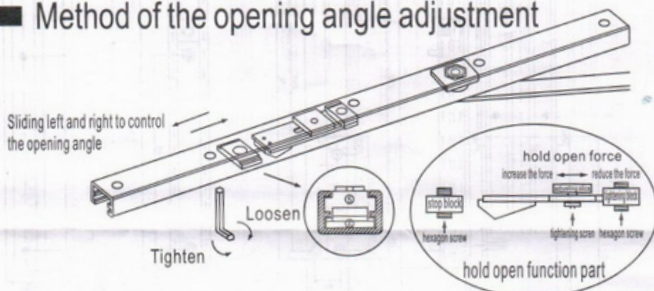
Method of Speed Adjustment



② Installing and fixing the slide rail

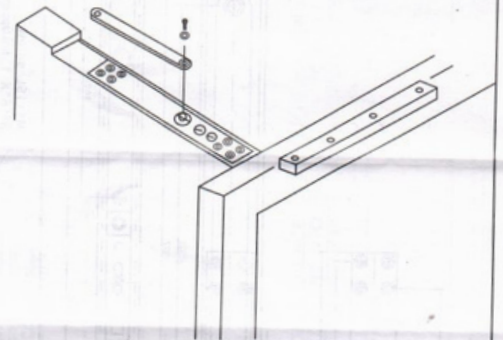


Method of the opening angle adjustment

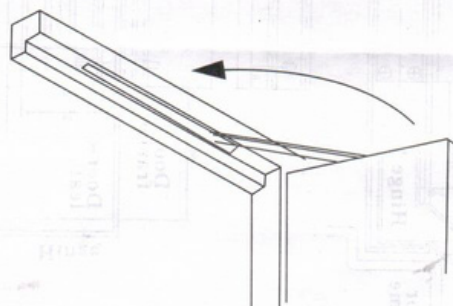


1. Moving the tightening block left and right can adjust the opening angle.
2. When the opening angle is confirmed, the adjusting slice should be moved to adjust the force of hold-open. Tightening screw is to prevent the adjusting slice from moving and changing the hold-open force.
3. When the hold-open force is done adjusting, the white plastic moving block should be slipped over the black plastic block in the hold open function part. When the door is stopped, stop block must be just fixed next to the white plastic moving block with the hexagon screw.
4. The stop block is used to determine of the opening angle. Once the stop block is fixed, the door should not be opened to an angle which is larger than the angle between the stop block and the frame or the door will be damaged.

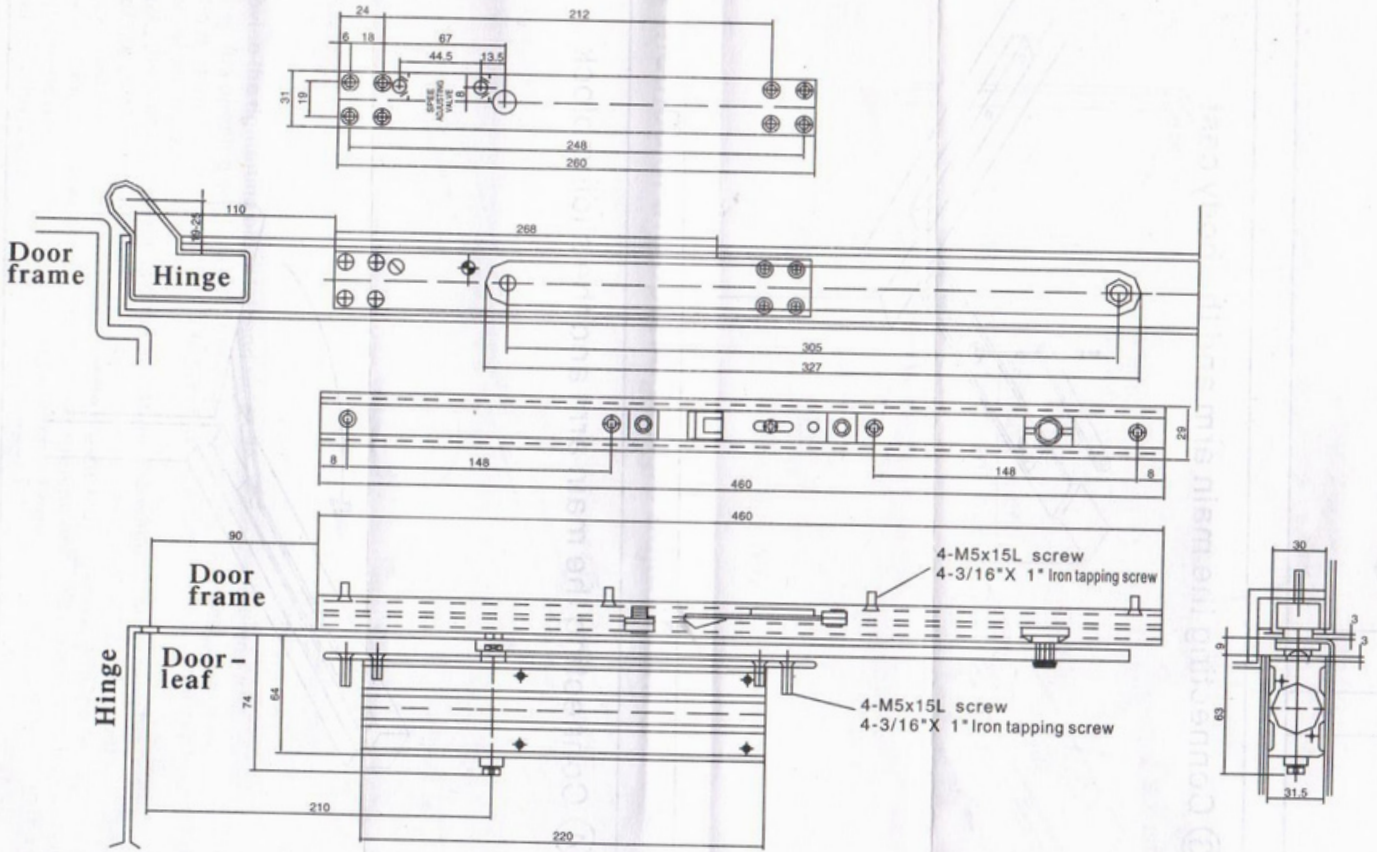
③ Connecting the main arm and the body cast



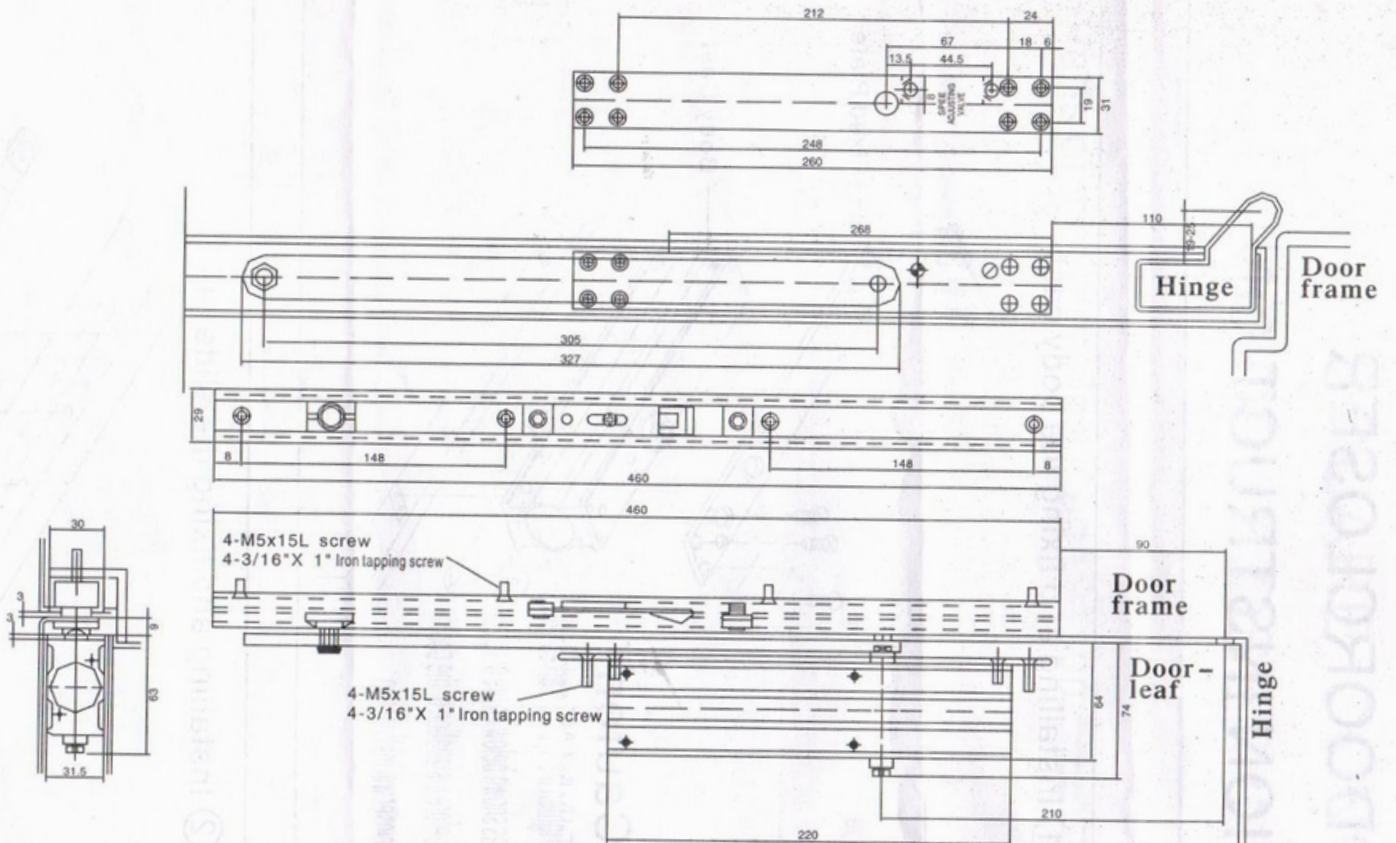
④ Connecting the main arm and the sliding block



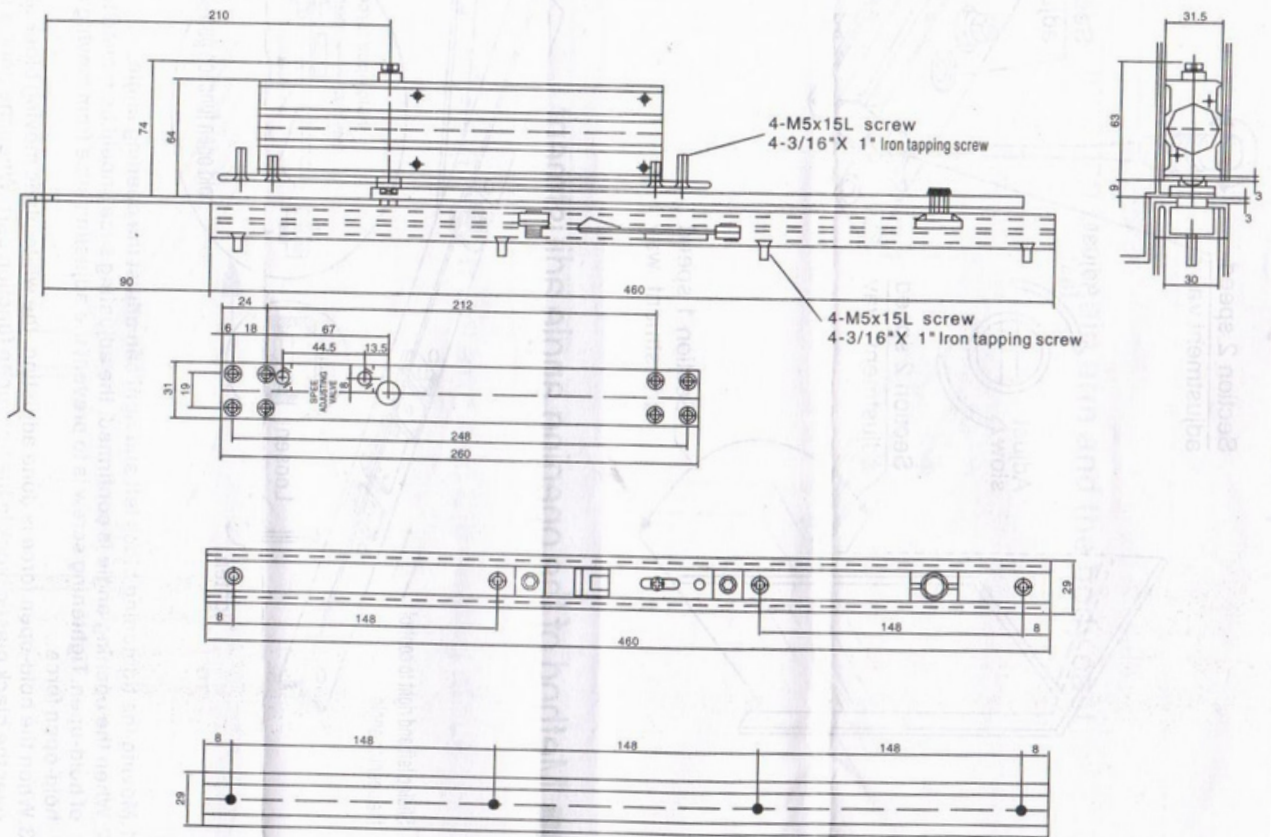
● Diagram for left open door



● Diagram for right open door



● Diagram for left open door (top jamb installation)



● Right hand opening . Top jamb installation

