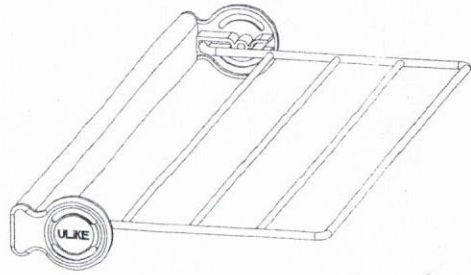
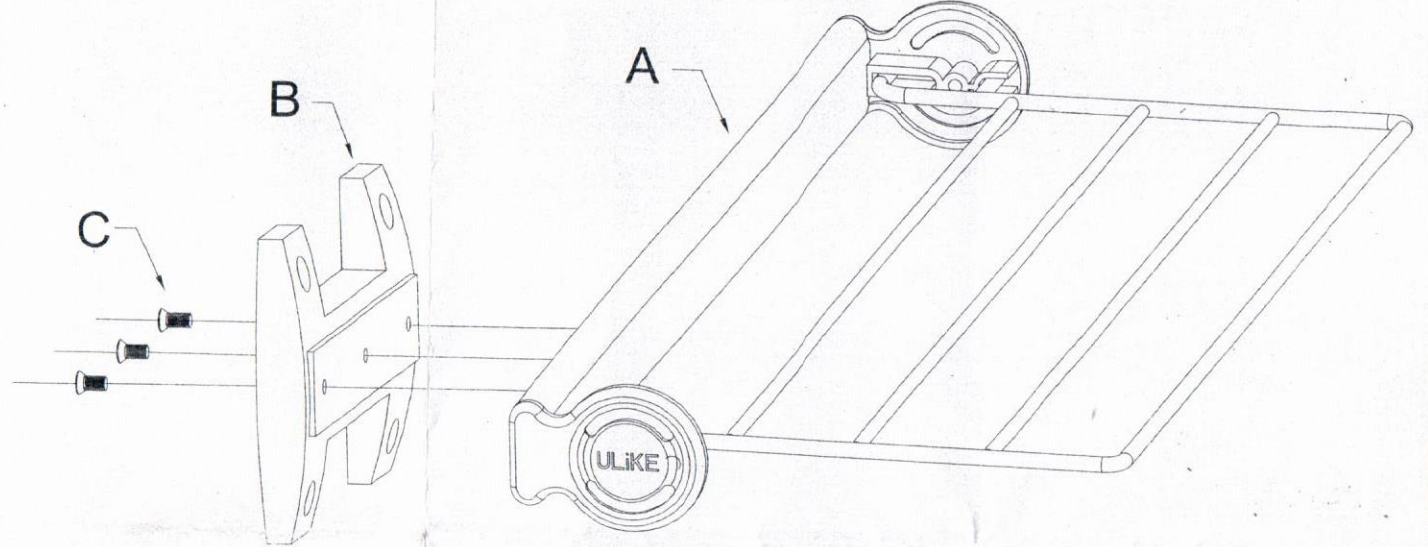


938.037 Fold-away trouser Rack, pull-out Assembly Instruction

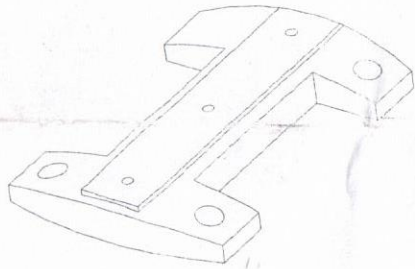
A Wire tie rack *1PC



1 Use "C" to fix "B" on slide of "A"



B Fixed bracket *1PC



2 Measure 50mm from the front of cabinet, and draw down a line by a pencil on the cabinet. Along the line, use "D" to fix it on a

C M4*10 Screw *3PCS



D M4*18 Screw *4PCS

